



HCZ-6321

2MP 32x AHD Zoom Camera

Key Features

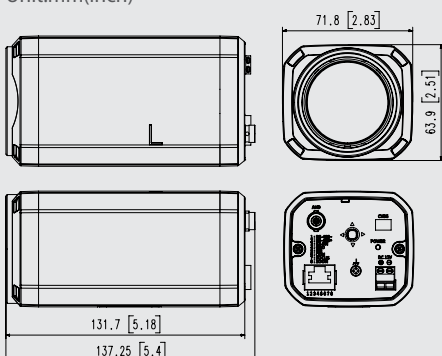
- Max. 2MP resolution
- Min. Illumination 0.2 Lux@F1.6 (Colour), 0.01 Lux@F1.6 (B/W)
- 4.44 ~ 142.6mm (32x) optical zoom, 16x digital zoom
- Digital PTZ
- Day & Night (Auto ICR), WDR (120dB)
- Detection, Tracking, Fixed Moved, Tampering support

Benefits

- Capture and record Full HD 1080p images with superior quality
- Clearer images with WDR 120dB, defog and noise reduction
- Transmit video and audio up to 500m by using a single coaxial cable without any delays
- Minimise cost and installation time with the option to use existing coax cable and with no converters, network encoders or switches required

Dimensions

Unit:mm(inch)



HCZ-6321

VIDEO	
Imaging Device	1/2.8" CMOS
Resolution	1080p
Max. Framerate	30fps/25fps(60Hz/50Hz)
Min. Illumination	Colour: 0.2 Lux (1/30sec, F1.6) B/W: 0.01 Lux (1/30sec, F1.6)
Video Out	AHD: 1080p, BNC CVBS: SD, DIP connector type
Video Transmission Distance	500m(5C2V Coaxial Cable)

LENS	
Focal Length (Zoom Ratio)	4.44~142.6mm(32x) zoom
Max. Aperture Ratio	F1.6(Wide)~F4.4(Tele)
Angular Field of View	H: 62.8° (Wide)~2.23° (Tele) / V: 36.80° (Wide)~1.26° (Tele)
Min. Object Distance	1.5m(4.92ft)
Focus Control	Auto, Manual, Oneshot AF
Lens Type	DC auto iris

OPERATIONAL	
Camera Title	Displayed up to 15 characters
Day & Night	Auto(ICR)
Backlight Compensation	BLC, HLC, WDR, SDR
Wide Dynamic Range	120dB
Digital Noise Reduction	SSNRIII
Digital Image Stabilization	Support
Defog	Support
Motion Detection	4ea, rectangular zones
Privacy Masking	12ea, rectangular zones
Gain Control	Low / Middle / High
White Balance	ATW / AWC / Manual / Indoor / Outdoor
Electronic Shutter Speed	Minimum / Maximum / Anti flicker (2 ~ 1/33,000sec)
Digital PTZ	Support
Video Rotation	H-REV/V-REV
Analytics	Motion detection
Serial Interface	RS-485: Samsung-T/E, Pelco-D/P, Panasonic, Bosch, AD, Vicon, Honeywell
Alarm I/O	Output 1ea
Coaxial Protocol	ACP(AHD Coax Protocol)

ENVIRONMENTAL & ELECTRICAL	
Operating Temperature / Humidity	-10°C ~ +55°C (+14°F ~ +131°F) / Less than 90% RH
Storage Temperature / Humidity	-10°C ~ +60°C (-22°F ~ +140°F) / Less than 90% RH
Input Voltage	12V DC
Power Consumption	Max 6W

MECHANICAL	
Colour / Material	Black / Metal
Product dimensions / weight	72(W)x63.9(H)x137.25(D)mm(2.83x2.52x5.40"), 451g(0.99 lb)

DORI (EN62676-4 STANDARD)	
Detect (25PPM/ 8PPF)	Wide: 62.9m(206.4ft) / Tele: 1973m(6473.05ft)
Observe (63PPM/ 19PPF)	Wide: 25.2m(82.56ft) / Tele: 789.2m(2589.22ft)
Recognize (125PPM/ 38PPF)	Wide: 12.6m(41.28ft) / Tele: 394.6m(1294.61ft)
Identify (250PPM/ 76PPF)	Wide: 6.3m(20.64ft) / Tele: 197.3m(647.31ft)

* The latest product information / specification can be found at hanwha-security.com

* Design and specifications are subject to change without notice.

* Wisenet is the proprietary brand of Hanwha Techwin.