



## QNB-8002

5MP Network Box Camera

### Benefits

- Affordable Network Box Camera
- Clear and vivid images with 120dB WDR
- Intelligent Video Analytics including Defocus detection, Directional detection, Motion detection, Enter/Exit, Tampering, Virtual line
- Advanced Video Compression with WiseStream II

### Key Features

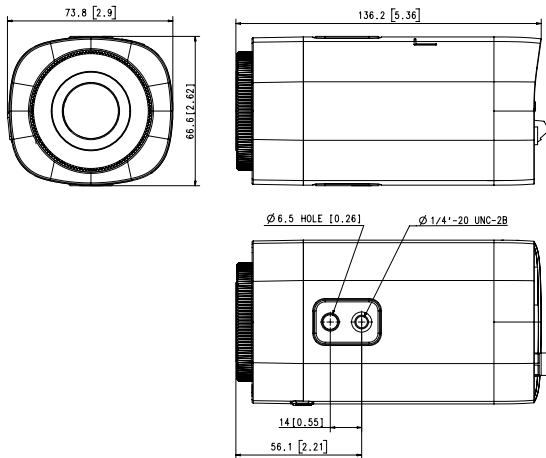
- 0.07Lux@F1.2 (Colour)
- Max. 30fps@5MP (H.265/H.264)
- Day & Night (ICR), WDR (120dB)
- Defocus detection, Directional detection, Motion detection, Enter/Exit, Tampering, Virtual line, Tampering
- SD 1slot (128GB)
- H.265, H.264, MJPEG codec, WiseStream II

### QNB-8002

| QNB-8002                 |   |
|--------------------------|---|
| <b>VIDEO</b>             |   |
| Imaging Device           | 1/2.8" 5MP CMOS   |
| Effective Pixels         | 2592(H)x1944(V)   |
| Min. Illumination        | Colour: 0.07Lux(F1.2, 1/30sec)  |
| Video Out                | CVBS: 1.0 Vp-p / 75Ω composite, 720x480(N), 720x576(P) for installation   |
| <b>LENS</b>              |   |
| Focus Control            | Manual  |
| Lens Type                | Manual/ DC-IRIS   |
| Mount Type               | C mount, CS mount   |
| <b>OPERATIONAL</b>       |   |
| Camera Title             | Displayed up to 85 characters   |
| Day & Night              | Auto(ICR)   |
| Backlight Compensation   | BLC, WDR, SDR   |
| Wide Dynamic Range       | 120dB   |
| Digital Noise Reduction  | SSNR  |
| Motion Detection         | 4ea, polygonal zones  |
| Privacy Masking          | 6ea, polygonal zones  |
| Gain Control             | Low/ Middle/ High   |
| White Balance            | ATW/ AWC/ Manual/ Indoor/ Outdoor   |
| LDC                      | Support   |
| Electronic Shutter Speed | Minimum/ Maximum/ Anti flicker (1/5~1/12,000sec)  |
| Video Rotation           | Flip, Mirror, Hallway view(90°/270°)  |
| Analytics                | Defocus detection, Directional detection, Motion detection, Enter/Exit, Tampering, Virtual line   |
| Serial Interface         | RS-485(Samsung-T, Pelco-D/P, Panasonic, Bosch, AD, GE, Vicon, Honeywell)  |
| Alarm I/O                | Input 1ea / Output 1ea  |
| Alarm Triggers           | Analytics, Network disconnect, Alarm input  |
| Alarm Events             | File upload via FTP and e-mail<br>Notification via e-mail<br>SD/SDHC/SDXC or NAS recording at event triggers<br>Alarm output  |
| Audio In                 | Line-in<br>Supply voltage: 2.5VDC(4mA), Input impedance: 2K Ohm   |
| Audio Out                | Line-out 1Vrms  |
| <b>NETWORK</b>           |   |
| Ethernet                 | RJ-45(10/100BASE-T)   |
| Video Compression        | H.265/H.264: Main/High, MJPEG   |
| Resolution               | 2592x1944, 1920x1080, 1280x960, 1280x720, 800x600, 800x448, 720x576, 720x480, 640x480, 640x360  |
| Max. Framerate           | H.265/H.264: Max. 30fps/25fps(60Hz/50Hz)<br>MJPEG: Max. 15fps/12fps(60Hz/50Hz)  |
| Smart Codec              | WiseStreamII  |
| Bitrate Control          | H.264/H.265: CBR or VBR<br>MJPEG: VBR   |
| Streaming                | Unicast(6 users) / Multicast<br>Multiple streaming (Up to 3 profiles)   |
| Audio Compression        | G.711 u-law /G.726 Selectable<br>G.726(ADPCM) 8KHz, G.711 8KHz<br>G.726: 16Kbps, 24Kbps, 32Kbps, 40Kbps   |
| Protocol                 | IPv4, IPv6, TCP/IP, UDP/IP, RTP(UDP), RTP(TCP), RTCP, RTSP, NTP, HTTP, HTTPS, SSL/TLS, DHCP, FTP, SMTP, ICMP, IGMP, SNMPv1/v2c/v3(MIB-2), ARP, DNS, DDNS, QoS, UPnP, Bonjour, LLDP                  |
| Security                 | HTTPS(SSL) Login Authentication<br>Digest Login Authentication<br>IP Address Filtering<br>User access log<br>802.1X Authentication(EAP-TLS, EAP-LEAP)<br>Device Certificate(Hanwha Techwin Root CA) |

## Dimensions

Unit:mm(inch)



## QNB-8002

| NETWORK                           |   |
|-----------------------------------|---|
| Edge Storage                      | Micro SD/SDHC/SDXC 1slot 128GB  |
| Application Programming Interface | ONVIF Profile S/G/T<br>SUNAPI(HTTP API)<br>Wisenet open platform  |
| Web Viewer                        | Supported OS: Windows 7, 8.1, 10, Mac OS X 10.12, 10.13, 10.14<br>Recommended Browser: Google Chrome<br>Supported Browser: MS Explore11, MS Edge, Mozilla Firefox(Window 64bit only), Apple Safari(Mac OS X only) |
| Memory                            | 512MB RAM, 256MB Flash  |
| ENVIRONMENTAL                     |   |
| Operating Temperature / Humidity  | -10°C ~ +55°C (-14°F ~ +131°F) / Less than 90% RH   |
| Storage Temperature / Humidity    | -30°C ~ +60°C (-22°F ~ +140°F) / Less than 90% RH   |
| ELECTRICAL                        |   |
| Input Voltage                     | PoE(IEEE802.3af, Class3), 12VDC   |
| Power Consumption                 | PoE: Max 6.4W, Typical 4.6W<br>12VDC: Max 5.8W, Typical 4.1W  |
| MECHANICAL                        |   |
| Colour / Material                 | Black, Ivory / Plastic  |
| Product dimensions / weight       | 73.8(W)x66.6(H)X136.2(D)mm(2.9x2.6x5.4"), 320g(0.71 lb)   |

\* The latest product information / specification can be found at [hanwha-security.com](http://hanwha-security.com)

\* Design and specifications are subject to change without notice.

\* Wisenet is the proprietary brand of Hanwha Techwin.