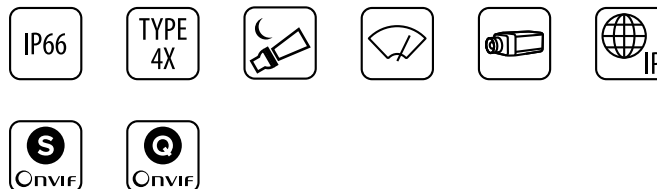


# ULISSE COMPACT **deLUX** technology



FULL HD PTZ CAMERA WITH NEW DELUX TECHNOLOGY FOR DAY/NIGHT VISION WITH EXCEPTIONAL NIGHT BRIGHTNESS



ULISSE COMPACT DELUX + LED ILLUMINATOR

## DESCRIPTION

ULISSE COMPACT DELUX is a Full HD network camera featuring the new imaging and encoding technology for outdoor surveillance that generates incredibly vivid and clear colour video images day or night.

In particular, thanks to the camera's increased light sensitivity, the DELUX technology can obtain bright images with well-defined colours in very low light conditions – even typical night-time conditions to 0.006 lux (0.0006 lux in black and white).

The technology offers significant advantages for video surveillance in sensitive outdoor areas where it is necessary to identify people, objects, moving vehicles and abnormal events with the highest levels of detail possible at all times, even at night.

ULISSE COMPACT DELUX integrates a Day/Night, FullHD camera, 1080p with a 30x optical zoom and a frame rate of 60fps. It is capable of accurately pinpoint details in any scene – even dynamic, rapidly changing situations.

In addition to improved light sensitivity, with outstanding colour rendering and greater noise reduction, the DELUX technology has brought new advanced performances to the ULISSE COMPACT, namely in the proportional zoom control and management of Privacy Masking.

ULISSE COMPACT's robust mechanical construction guarantees unbeatable performance in all weather conditions, – from -40°C to + 60°C – with a rotation speed of up to 200°/s, highly accurate preset positioning, anti-fog capability, a wiper and an integrated LED illuminator.

The video images are sent via the network with compression H.264/AVC, MPEG4, MJPEG or JPEG and up to a maximum of 3 simultaneous and independent Full HD video streams.

ULISSE COMPACT DELUX is the ideal solution for the surveillance of urban and industrial areas, critical infrastructures, traffic and car parks, and perimeters and borders.

## MAIN FEATURES

Camera Full HD 1080p, 30x, 60fps

Minimum Illumination:

- Colour: 0.006lx
- B/W: 0.0006lx

Video compression H.264/AVC, MJPEG, JPEG and MPEG4

Certified ONVIF, Profile S, Profile Q

Day/Night (Auto ICR: automatic removal of IR filter)

De-fog function

Up to 3 simultaneous video streams in FULL HD

1 alarm input and 1 relay output

Variable speed: from 0.1°/s up to 200°/s horizontal and vertical movement

Horizontal continuous rotation, vertical from -90° up to +90°

Position accuracy: 0.05°

Up to 250 Presets

Integrated wiper

Speed proportional to Zoom

Power supply: 230Vac, 24Vac or 120Vac

Options:

- LED illuminator (white light or infrared)

## TECHNICAL DATA

### GENERAL

Easy installation thanks to the self-centring connector

Zero backlash

Quick configuration and setup

Dynamic positioning control system

Functions: Preset Tour (Preset, Patrol, Autopan), Autoflip

Maximum number of presets: 250

### MECHANICAL

Constructed from aluminium and tecnopolymer

Epoxy polyester powder painting, RAL9002 colour

Horizontal rotation: 360°, continuous rotation

Vertical rotation: from -90° up to +90°

Horizontal speed (variable): from 0.1°/s up to 200°/s

Tilt speed (variable): from 0.1°/s up to 200°/s

Accuracy of preset positions: 0.05°

Cable glands: 2xM16, 2xM12

Unit weight: 12.5kg (28lb) (13kg (28.7lb) with LED illuminator)

### ELECTRICAL

Supply voltage/Current consumption:

- 230Vac, 0.4A, 50/60Hz
- 120Vac, 0.8A, 50/60Hz
- 24Vac, 4A, 50/60Hz

Power consumption:

- 40W, P&T static, heating switched off
- 60W, P&T in motion, heating switched off
- 125W, peak at start-up, heating switched on

Power consumption with illuminator on:

- 55W, P&T static, heating switched off
- 75W, P&T in motion, heating switched off
- 140W, peak at start-up, heating switched on

Cables input section: from 0.75mm<sup>2</sup> (19AWG) up to 1.5mm<sup>2</sup> (16AWG)

Cables signal section: from 0.14mm<sup>2</sup> (30AWG) up to 1.5mm<sup>2</sup> (16AWG)

I/O alarm board

- Alarm inputs: 1
- Relay outputs: 1 (1A, 30Vac/60Vdc max)

### NETWORK

Ethernet connection: 100 Base-TX

Connector: RJ45

## VIDEO

Video encoder

- Communication protocol: ONVIF, Profile S and Profile Q
- Device configuration: TCP/IPv4-IPv6, UDP/IPv4-IPv6, HTTP, HTTPS, NTP, DHCP, WS-DISCOVERY, DSCP, IGMP (Multicast), SOAP, DNS
- Streaming: RTSP, RTCP, RTP/IPv4, HTTP, Multicast
- Video compression: H.264/AVC, MJPEG, JPEG, MPEG4
- 3 independent video streams Full HD
- Image resolution: from 320x180 up to 1920x1080 in 6 steps
- Selectable frame rate from 1 to 60 images per second (fps)
- Web Server
- Directional OSD
- Motion Detection

## I/O INTERFACE

I/O alarm board

- Alarm inputs: 1
- Relay outputs: 1 (1A, 30Vac/60Vdc max)

## CAMERAS

**Day/Night Full HD 30x**

Resolution: Full HD 1080p (1920x1080)

Image Device: 1/2.8" Exmor™ R CMOS sensor

Effective Pixels: approx. 2.38 Megapixels

Minimum Illumination:

- Colour: 0.006lx (F1.6, 30 IRE)
- B/W: 0.0006lx (F1.6, 30 IRE)

Focal length: 4.5 mm (wide) ~ 135 mm (tele)

Zoom: 30x (480x with digital zoom)

Iris: Auto, Manual; range F1.6-F9.6, 12 steps

Horizontal Viewing Angle: from 61.6° (wide end) up to 2.50° (tele end)

Vertical Viewing Angle: from 37.07° (wide end) up to 1.44° (tele end)

Shutter speed: from 1/1s up to 1/10000s; Auto/Manual

White balance: Auto/Manual

Gain: Auto, Manual ( from 0dB up to 36dB)

Wide Dynamic Range: 120dB

Focus System: Auto, Manual, Trigger

Picture Effects: E-flip, Color enhancement

Noise removal: 2D, 3D

Exposure Control: Auto, Manual, Priority (Shutter priority, Iris priority), Brightness, Custom

De-fog: Yes (On/Off)

## ILLUMINATORS

### LED illuminator

Horizontal beam: 10° or 30°

Wavelength: 850nm, 940nm, white light

Automatic and remote switching on

The camera and the light beam are factory aligned

The pre-installed illuminator does not slow down the P&T's rotation speed

## ENVIRONMENT

For installation indoors and outdoors

Operating temperature

- Continuous working: from -40°C (-40°F) up to +60°C (140°F)
- Non continuous working (absolute maximum temperature for short periods): +65°C (149°F)

Wind resistance

- Operational: up to 160km/h (99.4mph)
- Stationary: up to 210km/h (130.5mph)

Surge immunity: up to 2kV line to line, up to 4kV line to earth (Class 4)

Relative humidity: from 10% up to 95% (no condensation)

## CERTIFICATIONS

Electrical safety (CE): EN60950-1, IEC60950-1

Electromagnetic compatibility (CE): EN610000-6-4, EN50130-4, EN55032 (Class A), FCC Part 15 (Class A)

Outdoor installation (CE): EN60950-22, IEC60950-22

Photobiological safety (CE): EN62471

IP protection degree: EN60529 (IP66)

UL certification: cULus Listed (TYPE 4X)

EAC certification

## ACCESSORIES

UPTJBUL	Junction weatherproof box for cables connexion (according UL norm)
WASPT0V5L5M00	Water tank 5l (1.3gal), pump with delivery up to 5m (16ft), IN 230Vac-24Vac-120Vac
WASPT0V23L5M00	Water tank 23l (6 gal), pump with delivery up to 5m (16ft), IN 230Vac-24Vac-120Vac
WASPT0V23L11M00	Water tank 23l (6 gal), pump with delivery up to 11m (36ft) with water floating, IN 230Vac-24Vac-120Vac
WASPT1V23L30M00	Water tank 23l (6 gal), pump with delivery up to 30m (98ft) with water floating, IN 230Vac
WASPT3V23L30M00	Water tank 23l (6 gal), pump with delivery up to 30m (98ft) with water floating, IN 120Vac
WASNX1V10L20M00	Tank 10l (2.6gal) with integrated manual pump controlled by solenoid valve, delivery head up to 20m (66ft) max, IN 230Vac
WASNX2V10L20M00	Tank 10l (2.6gal) with integrated manual pump controlled by solenoid valve, delivery head up to 20m (66ft) max, IN 24Vac
WASNX3V10L20M00	Tank 10l (2.6gal) with integrated manual pump controlled by solenoid valve, delivery head up to 20m (66ft) max, IN 120Vac

## BRACKETS AND ADAPTORS

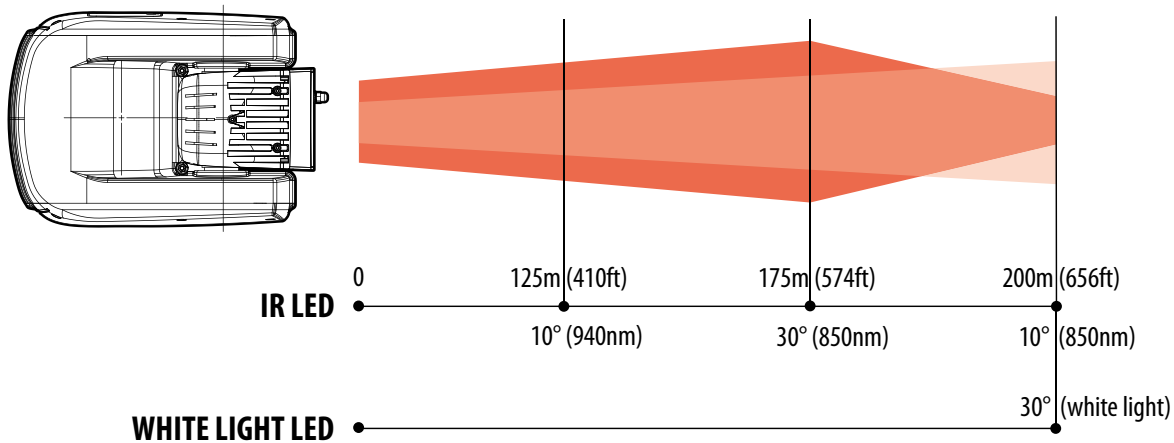
UPTWBA	Wall bracket with internal cable channel
UPTWB TAB	Parapet bracket with internal cable channel
WCWGC	Corner mount adaptor
PTCC1	Pole mount adaptor
UCCMA	Ceiling bracket for upside down mounting and working of ULISSE COMPACT

## PACKAGE

Model Number	Weight	Dimensions (WxHxL)	Master carton
UCHD11WAZ00B	16.5kg (36lb)	66x33x57cm (26x13x22in)	-

**ULISSE COMPACT DELUX - CONFIGURATION OPTIONS**

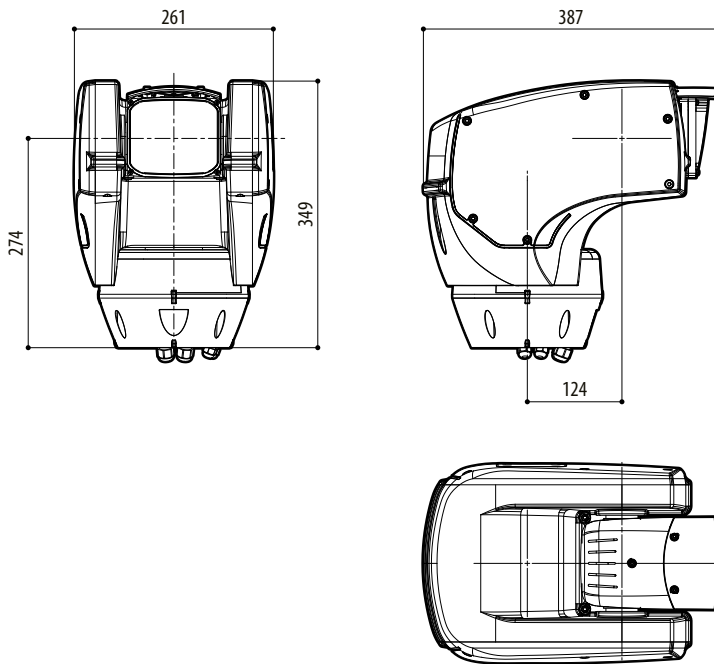
	Voltage	Camera	Options		Video Output	
<b>U</b>	<b>1</b> 230Vac	<b>1</b> Videotec super low-light Day/Night 30X zoom, Full HD camera	<b>W</b> With wiper, 1 input, 1 output	<b>A</b>	<b>Z</b> IP H.264/AVC control, ONVIF protocol Profile S and Profile Q	<b>00B</b>
	<b>2</b> 24Vac		<b>N</b> With wiper, 1 input, 1 output, IR LED illuminator 10°, 940nm			
	<b>3</b> 120Vac		<b>U</b> With wiper, 1 input, 1 output, IR LED illuminator 30°, 850nm			
			<b>T</b> With wiper, 1 input, 1 output, IR LED illuminator 10°, 850nm			
			<b>Z</b> With wiper, 1 input, 1 output, LED illuminator 30°, white light			



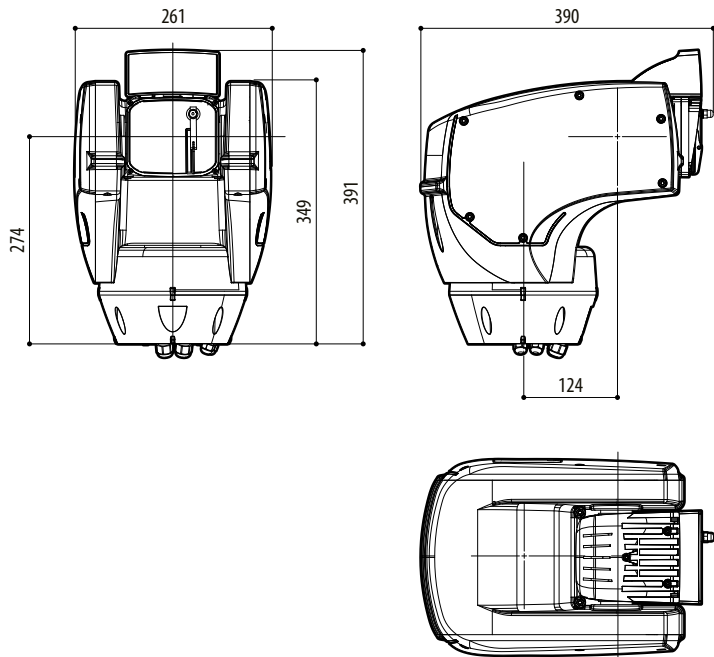
*The distances and the performance depend on the environmental light conditions.*

## TECHNICAL DRAWINGS

The dimensions of the drawings are in millimetres.



ULISSE COMPACT DELUX



ULISSE COMPACT DELUX WITH LED ILLUMINATOR