

[PAL] WV-CP600 (220 V - 240 V AC)
 WV-CP604 (24 V AC or 12 V DC)
 WV-CP620 (220 V - 240 V AC)
 WV-CP624 (24 V AC or 12 V DC)



Compact Day/Night Fixed Camera featuring Super Dynamic 6 technology

Key Features

- **Super Dynamic 6** technology delivers 160x wider dynamic range compared to conventional cameras.
- High resolution: 650 TV lines
- High sensitivity with Day/Night function: 0.08 lx (Color), 0.008 lx (B/W) at F1.4. IR cut filter switches on/off to enhance the sensitivity in B/W mode. (WV-CP620/WV-CP624)
- High sensitivity with Day/Night (electrical) function: 0.08 lx (Color), 0.05 lx (B/W) at F1.4 (WV-CP600/WV-CP604)
- ABS (Adaptive Black Stretch) enhances visibility of dark area without degrading image quality in bright area.
- Focus Assist ensures easy installation.
- Various adjustment features including ATW (Auto Tracing White Balance) and ALC (Automatic Light Control)
- 16 axis matrix color compensation function enables wider range of natural color adjustment.
- 3-dimensional color conversion function for natural color reproduction even in lower color temperature situation
- Adaptive Digital Noise Reduction: Integration of 2D-DNR and 3D-DNR ensures noise reduction in various conditions.
- Electronic sensitivity enhancement: Auto (Up to 32x) / Manual (Up to 512x)
- Electronic shutter from 1/120 to 1/120,000 sec.
- Digital zoom: Up to 2x
- Auto Image Stabilizer for applications where vibration or wind is a concern
- Internal synchronization
- Over the coaxial cable data communication

- 16 alphanumeric camera title display
- Multi language: English, French, Italian, Spanish, German, Russian, Chinese, Japanese
- On screen display menu
- ELC mode for easier lens adjustment upon installation
- Smart look fits for various applications such as shopping mall, hotels and hospitals.

Standard Accessories

• CD-ROM*.....	1 pc.	• Installation Guide.....	1 pc.
The following is used during installation procedures:			
• Power cord (only for WV-CP600/G and WV-CP620/G)(Approx. 1.8 m).....	1 pc.		
• Power cord plug (only for WV-CP604E and WV-CP624E).....	1 pc.		
• Safety wire lug.....	1 pc.		
• Safety wire (Approx. 300 mm).....	1 pc.		
• Wire lug fixing screws (M2.5 × 8 mm).....	2 pcs. (including 1 for replacement)		
• Washer.....	1 pc.		
• Spring washer.....	1 pc.		
*The CD-ROM contains the operating installations and installation guide (PDF).			

Optional Accessories

1/3 type 2x Varifocal Lens
WV-LZA61/2S
 (3.8 ~ 8 mm)
 F1.4 (Wide)
 F1.8 (Tele)



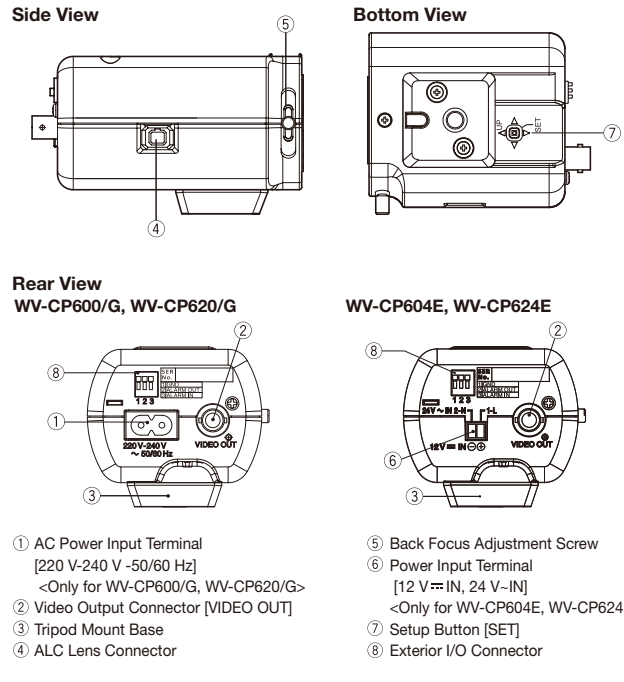
1/3 inch 8x Varifocal Lens
WV-LZ62/8S
 (5 ~ 40 mm)
 F1.6 (Wide)
 F1.9 (Tele)



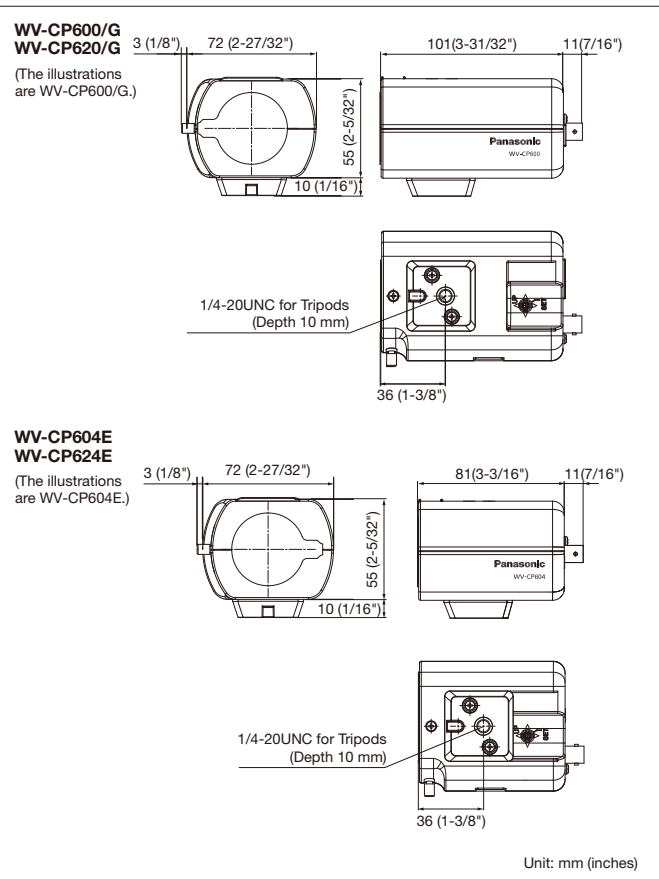
Specifications

TV System	WV-CP600	WV-CP620	WV-CP604	WV-CP624
Camera	1/3 type interline transfer CCD			
Image Sensor	976 (H) x 582 (V)			
Effective Pixels	2:1 interlace			
Scanning Mode	4.8 (H) x 3.6 (V) mm			
Scanning Area	Horizontal: 15.625 kHz Vertical: 50.00 Hz			
Scanning Frequency	650 TV lines typ.			
Horizontal Resolution	0.08 lx			
Minimum color mode	0.05 lx	0.008 lx	0.05 lx	0.008 lx
Illumination black-andwhite mode	52 dB (AGC: OFF)			
Signal-to-Noise Ratio	AWC (2,000 - 10,000 K), ATW1 (2,700 - 6,000 K), ATW2 (2,000 - 6,000 K)			
White Balance	ALC/ALC+/ELC			
Light Control	ON (LOW, MID, HIGH) / OFF			
AGC	ON / OFF			
Super Dynamic 6	54 dB typical (Super Dynamic 6 : ON)			
Dynamic Range	OFF (1/50), 1/120, 1/250, 1/500, 1/1000, 1/2000, 1/4000, 1/10000, 1/120000 (s)			
Electronic Shutter	32x max. AUTO, 512x max. FIX			
Electronic Sensitivity UP	(Electrical) AUTO / OFF (IR) AUTO1/AUTO2/ON/OFF			
Day & Night	ON(1) / ON(2) / OFF			
Digital Noise Reduction	High or Low			
Scene File	2 patterns			
Video Motion Detection	OFF / MOTION DETECTION / SCENE CHANGE			
Privacy Zone	ON / OFF			
Image Stabilizer	16 alphanumeric characters			
Camera Title	Internal (INT)			
Synchronization	1.0 V [p-p] / PAL composite 75 Ω			
Input / Output	Coaxial Multiplex System			
Controller Interface	Alarm IN 1pc, Alarm OUT 1pc			
External I/O Terminals	OSD setup menu			
General	Setup Method			
Language	English, French, Italian, Spanish, German, Russian, Chinese, Japanese			
Safety / EMC Standard	CE (EN55022 ClassB, EN55024), GOST (GOST R 51558)			
Power Source and	220 V - 240 V		24 V AC 50/60 Hz: 2.5 W,	
Power Consumption	AC 50/60 Hz 2.8 W		12 V DC: 220 mA	
Ambient Operating Temperature	-10 °C ~ +50 °C (14 °F ~ 122 °F)			
Ambient Operating Humidity	90 % or less (without condensation)			
Dimensions	101 mm (L) x 72 mm (W) x 55 mm (H) {3-31/32 inches (L) x 2-27/32 inches (W) x 2-5/32 inches (H)}		81 mm (L) x 72 mm (W) x 55 mm (H) {3-3/16 inches (L) x 2-27/32 inches (W) x 2-5/32 inches (H)}	
Mass (approx.)	Approx.190 g (Power cord excluded)		Approx.170 g	
Finish	ABS resin / White Painting			

Part Names and Functions



Appearance



Important

- Safety Precaution: carefully read the operating instructions and installation manual before using this product.
- "Super Dynamic", "SDII", "SDIII", "SD5", "SD5Link", "SD6", "i-PRO" and "i-PRO SmartHD" logos are trademarks or registered trademarks of Panasonic Corporation.

DISTRIBUTED BY:

- All TV pictures are simulated.
- Weights and dimensions are approximate.
- Specifications are subject to change without notice.
- These products may be subject to export control regulations.
- All product pictures are PAL models.

Panasonic[®]

<http://panasonic.net/security/>

Printed in Japan (2A-097A)