

WV-S25700-V2LG

4K Vandal Resistant Outdoor Dome Network Camera, Smoke Dome

New S-series wide lineup high resolution network camera with AI engine



- 4K
- Intelligent Auto (with AI Engine)
- Super Dynamic 132dB
- Color night vision (0.12 to 0.17 lx)
- Smart Coding (with AI Engine)
- Built-in IR LED
- Built-in FIPS 140-2 Level 3 Certified Secure Element with TPM functionality (EdgeLock® SE050F NXP® Semiconductors)
- NDAA Compliant



SPECIFICATIONS

| Camera | |
|---|---|
| Image Sensor | Approx. 1/1.8 type CMOS image sensor |
| Minimum Illumination | Color : 0.12 lx (30IRE, F1.5, 1/30s) Color : 0.17 lx (50IRE, F1.5, 1/30s) BW : 0.09 lx (50IRE, F1.5, 1/30s) BW : 0 lx (50IRE, F1.5, 1/30s with IR LED) |
| White Balance | ATW1 / ATW2 / AWC |
| Shutter Speed | [30 fps/15 fps mode] 1/30 Fix to 1/10000 Fix [25 fps/12.5 fps mode] 1/25 Fix to 1/10000 Fix |
| Intelligent Auto | On / Off |
| Super Dynamic*2 | On / Off, The level can be set in the range of 0 to 31. |
| Dynamic Range | Max.132 dB (Super Dynamic : On, Level 31) |
| Adaptive Black Stretch | The level can be set in the range of 0 to 255. |
| Back light compensation / High light compensation | BLC (Back light compensation) / HLC (High light compensation) / Off (only when Super dynamic / Intelligent Auto : Off) |
| Fog Compensation | On / Off (only when Intelligent auto / auto contrast adjust : Off) |
| Maximum Gain (AGC) | The level can be set in the range of 0 to 11. |
| Color/BW (ICR) | Off / On (IR Light Off) / On (IR Light On) / Auto1 (IR Light Off) / Auto2 (IR Light On) / Auto3 (SCC) |
| IR LED Light | High / Middle / Low / Off, Maximum irradiation distance : 70 m {Approx. 230 ft}(30IRE) 50 m {Approx. 164 ft}(50IRE) |
| Digital Noise Reduction | The level can be set in the range of 0 to 255. |
| Video Motion Detection (VMD) | On / Off, 4 areas available |
| Scene Change Detection (SCD) | On / Off, 1 areas available |
| Audio Detection | On / Off |
| AI Sound classification | Gunshot, Yell, Vehicle horn, Glass break |
| AI Analytics | Yes |
| Privacy Zone | On / Off, Up to 8 zones available |
| VIQS | On / Off, Up to 8 zones available |
| Image rotation*3 | 0 ° / 90 ° / 180 ° / 270 ° |
| Camera Title (OSD) | On / Off, Up to 40 characters (alphanumeric characters, marks) |
| Focus Adjustment | Auto focus |
| Lens | |
| Optical Zoom | 2.0x (Motorized zoom / Motorized Focus) |
| Extra zoom | 2.0x -6.0x (when resolution is 1280 x 720) |
| Focal Length | 4.3 - 8.6 mm {5/32 inches - 11/32 inches} |
| Angular Field of View | [16 : 9 mode] *[4:3 mode] is not supported. Horizontal : 52° (TELE) - 101° (WIDE), Vertical : 29° (TELE) - 55° (WIDE) |
| Maximum Aperture Ratio | 1 : 1.5 (WIDE) - 1 : 2.4 (TELE) |

| | |
|---|--|
| Focusing Range | 1.0 m {39-3/8 inches} – ∞ |
| DORI | |
| Detect (25ppm / 8ppf) | Wide: 63.3m / 207.7 ft, Tele: 157.5 m / 516.6 ft |
| Observe (62.5ppm / 19ppf) | Wide: 25.3 m / 83.1 ft, Tele: 63.0 m / 206.6 ft |
| Recognize (125ppm / 38ppf) | Wide: 12.7 m / 41.5 ft, Tele: 31.5 m / 103.3 ft |
| Identify (250ppm / 76ppf) | Wide: 6.3m / 20.8 ft, Tele: 15.7 m / 51.7 ft |
| Adjusting Angle | |
| Adjusting Angle | Horizontal : -194 to +166°, Vertical : -30 to +85°, Yaw : ±100° |
| Browser GUI | |
| Camera Control | Brightness, AUX On / Off |
| Audio | Mic (Line) Input : On / Off Volume adjustment : Low / Middle / High Audio Output : On / Off Volume adjustment : Low / Middle / High |
| GUI / Setup Menu Language | English, Italian, French, German, Spanish, Portuguese, Russian, Chinese, Japanese |
| Browser*4 | Microsoft Edge, Firefox, Google Chrome |
| Network | |
| Network IF | 10Base-T / 100Base-TX, RJ45 connector |
| Resolution H.265 / H.264 / JPEG (MJPEG) | [16 : 9 mode (30 fps mode)] [16 : 9 mode (25 fps mode)] 3840x2160/2560x1440/1920x1080/1280x720/640x360/320x180 |
| JPEG - Image Quality | 10 steps |
| Smart Coding | GOP (Group of pictures) control: Off/ Low (Variable GOP 1s-8s) / Mid (Variable GOP 4s-16s) / Advanced (Fixed GOP 60s w/1s key-frame) / Frame rate control (Variable GOP 4s-16s with frame rate control) *Advanced and Frame rate control are only available with H.265. Smart VIQS: On(High)/On(Low)/Off, Smart P-picture control: On/Off |
| Audio Compression | G.726 (ADPCM) : 16 kbps / 32 kbps G.711 : 64 kbps AAC-LC : 64 kbps / 96 kbps / 128 kbps |
| Audio Transmission Mode | Off / Mic (Line) input / Audio output / Interactive (Half duplex) / Interactive (Full duplex) |
| Supported Protocol | IPv6 : TCP/IP, UDP/IP, HTTP, HTTPS, SSL/TLS, SMTP, DNS, NTP, SNMPv1/v2/v3, DHCPv6, RTP, MLD, ICMP, ARP, IEEE 802.1X, DiffServ, SFTP, MQTT, LLDP IPv4 : TCP/IP, UDP/IP, HTTP, HTTPS, SSL/TLS, RTSP, RTP, RTP/RTCP, SMTP, DHCP, DNS, DDNS, NTP, SNMPv1/v2/v3, UPnP, IGMP, ICMP, ARP, IEEE 802.1X, DiffServ, SRTP, SFTP, MQTT, LLDP |
| No. of Simultaneous Users | Up to 14 users (Depends on network conditions) |
| Secure | FIPS 140-2 level 3 Certified Secure Element (NXP® EdgeLock® SE050F), Device Certificate GlobalSign® pre-installed, User authentication, Host authentication, HTTPS, 802.1X Support, Data encryption |
| SDXC/SDHC/SD Memory Card (Option) | H.265 / H.264 recording : Manual REC / Alarm REC (Pre/Post) / Schedule REC / Backup upon network failure JPEG recording : Manual REC / Alarm REC (Pre/Post) / Backup upon network failure Compatible SDXC/SDHC/SD Memory Card : microSDXC memory card : 64 GB, 128 GB, 256 GB, 512 GB microSDHC memory card : 4 GB, 8 GB, 16 GB, 32 GB microSD memory card : 2 GB |
| Mobile Terminal Compatibility | iPad, iPhone (iOS 8.0 or later), Android™ terminals |
| ONVIF Profile | G / M / S / T |
| Alarm | |
| Alarm Source | 3 terminals input, VMD alarm, Command alarm, Audio detection alarm |
| Alarm Actions | SDXC/SDHC/SD memory recording, E-mail notification, HTTP alarm notification Indication on browser, TCP alarm notification output |

| Input/Output | |
|------------------------------------|--|
| Monitor Output (for Adjustment) | VBS : 1.0 V [p-p] / 75 Ω , composite, Pin jack An NTSC or PAL signal can be outputted from camera |
| Audio input*8 | \varnothing 3.5 mm stereo mini jack |
| Audio Output*8 | \varnothing 3.5 mm stereo mini jack (monaural output) Output impedance : Approx. 600 Ω (unbalanced) Output level : -20 dBV |
| External I/O Terminals*8 | ALARM IN 1 (Alarm input 1/ Black & white input/ Auto time adjustment input) (x1) ALARM IN 2 (Alarm input 2/ ALARM OUT) (x1), ALARM IN 3 (Alarm input 3/ AUX OUT) (x1) |
| General | |
| Safety | UL (UL62368-1), c-UL (CSA C22.2 No.62368-1), CE, IEC62368-1 |
| EMC | FCC (Part15 ClassA), ICES-003 ClassA, EN55032 ClassA, EN55035 |
| Power Source and Power Consumption | DC power supply : DC12 V 1.0 A, Approx. 12.0 W PoE (IEEE802.3af compliant) Device : DC48 V 240 mA, Approx. 11.5 W (Class 0 device) |
| Ambient Operating Temperature | -40 $^{\circ}$ C to +60 $^{\circ}$ C (-40 $^{\circ}$ F to 140 $^{\circ}$ F) (Power On range : -30 $^{\circ}$ C to +60 $^{\circ}$ C {-22 $^{\circ}$ F to +140 $^{\circ}$ F}) |
| Ambient Operating Humidity | 10 to 100 % (no condensation) |
| Anti-Condensation System | Temish element + Heater + moisture absorption gel |
| Water and Dust Resistance | IP66, IEC60529 measuring standard compatible, Type 4X(UL50E), NEMA 4X compliant |
| Shock Resistance | 50J (IEC 60068-2-75 compliant), IK10 (IEC62262) |
| Dimensions | \varnothing 154 mm x 105 mm (H) { \varnothing 6-1/16 inches x 4-1/8 inches (H)} |
| Mass (Approx.) | Approx. 1.1 kg {2.43 lbs.} |
| Finish | Main body : Aluminum die cast, i-PRO white Outer fixing screws : Stainless steel (Corrosion-resistant treatment) Dome section : Polycarbonate resin, Smoke |

NOTES

Important

- Safety Precautions : Carefully read the Basic Information, Installation Guide and Operating Instructions before using this product.
- i-PRO Co., Ltd. cannot be held responsible for the performance of the network and/or other manufacturers' products used on the network.
- Masses and dimensions are approximate.
- Specifications are subject to change without notice.

Trademarks and registered trademarks

- iPad and iPhone are trademarks of Apple Inc., registered in the U.S. and other countries. - Android is a trademark of Google LLC.
- ONVIF is a trademark of ONVIF, Inc.
- All other trademarks identified herein are the property of their respective owners

©i-PRO Co., Ltd All rights reserved / November 2022

OPTIONAL ACCESSORIES

Select a compatible accessory

[Accessory Selector \(i-pro.com\)](http://i-pro.com).



WV-CW7S
Dome cover



WV-CW7SN
Dome cover



WV-CW7CN
Dome cover



WV-QWL501-W
Mount Bracket



WV-QSR501-W
Mount Bracket



WV-QWL500-W
Mount Bracket



WV-QJB500-W
Mount Bracket



WV-QSR500-W
Sun Shade



WV-QJB501-W
Base Bracket



WV-QSR505-W
Sun Shade



WV-QCL501-W
Mount Bracket



WV-QEM500-W
Mount Bracket



WV-Q105A
Mount Bracket



WV-QAT500-W
Attachment pipe



WV-S25F1
Unit

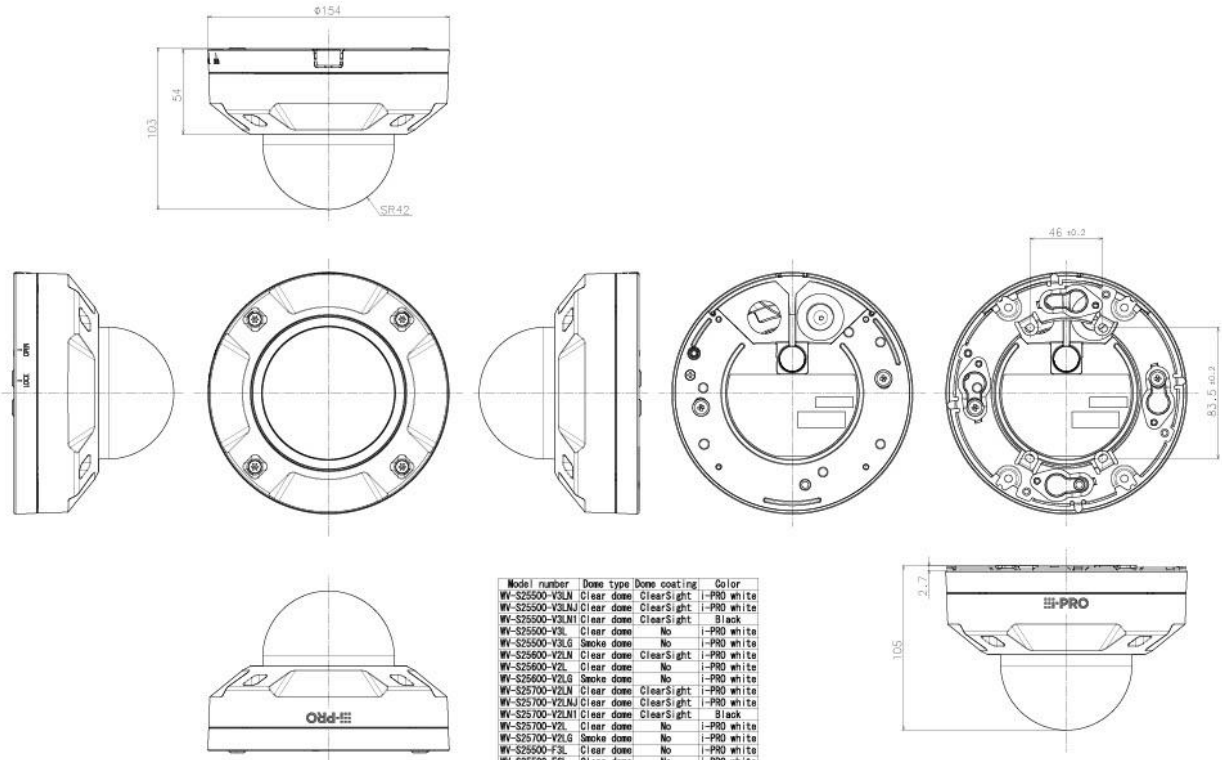


WV-QCA500A
RJ45 Ethernet Cable



WV-QCA501A
I/O Cable

APPEARANCE



| Model number | Dome type | Dome coating | Color |
|-----------------|------------|--------------|-------------|
| WV-S25500-V3LN | Clear dome | ClearSight | i-PRO white |
| WV-S25500-V3LNJ | Clear dome | ClearSight | i-PRO white |
| WV-S25500-V3LNK | Clear dome | ClearSight | Black |
| WV-S25500-V3L | Clear dome | No | i-PRO white |
| WV-S25500-V3LG | Smoke dome | No | i-PRO white |
| WV-S25600-V2LN | Clear dome | ClearSight | i-PRO white |
| WV-S25600-V2L | Clear dome | No | i-PRO white |
| WV-S25600-V2LG | Smoke dome | No | i-PRO white |
| WV-S25700-V2LN | Clear dome | ClearSight | i-PRO white |
| WV-S25700-V2LNJ | Clear dome | ClearSight | i-PRO white |
| WV-S25700-V2LNK | Clear dome | ClearSight | Black |
| WV-S25700-V2L | Clear dome | No | i-PRO white |
| WV-S25700-V2LG | Smoke dome | No | i-PRO white |
| WV-S25500-F3L | Clear dome | No | i-PRO white |
| WV-S25500-F6L | Clear dome | No | i-PRO white |

投影面積/Projected area
0.011(m²)

Mass : Approx. 1.7 kg (3.73 lbs) (including attachment for the conduit portion)

With Attachment plate